
PRODUCT SPECIFICATION SHEET

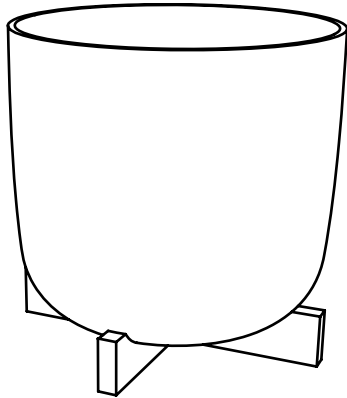
CRUZ PLANTERS

- 1. SPECIFICATIONS
 - 2. COLOR VARIATIONS
 - 3. WOOD SELECTION
-



1. SPECIFICATIONS

CRUZ PLANTERS



Weight — Gross weight: Small ~ 12 kg (26 lbs)
Tall ~ 25 kg (55 lbs)

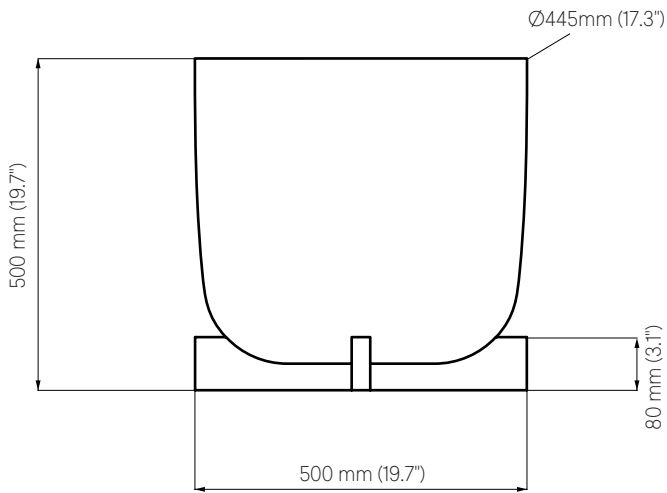


Materials — Fiber cement
Stained oak wood

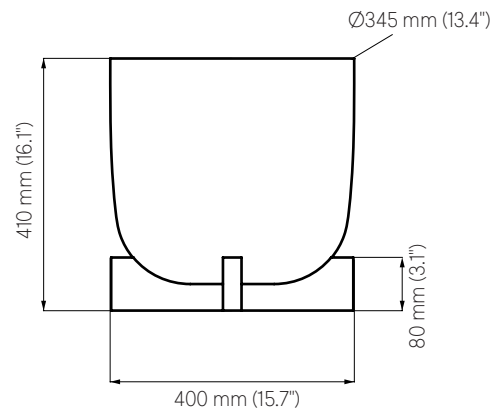


Finishes — Fiber cement colors: Black Grey Beige Red Brown Green

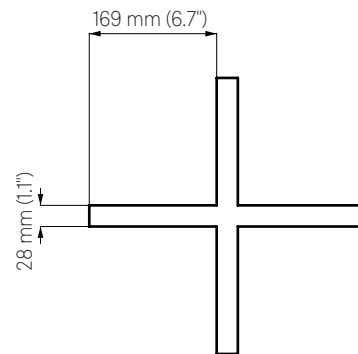
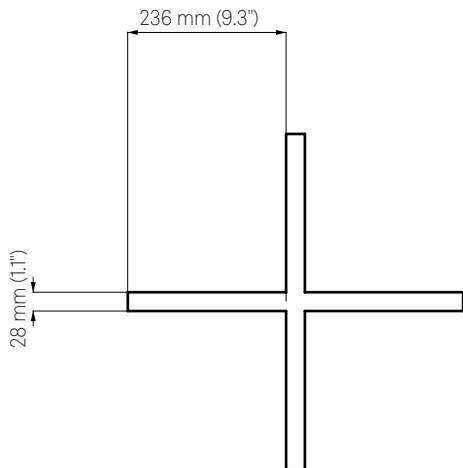
— Stained oak wood color: Black



TALL



SMALL



2. COLOR VARIATIONS

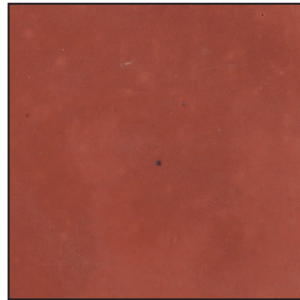
FIBER CEMENT



Grey



Beige



Red



Brown



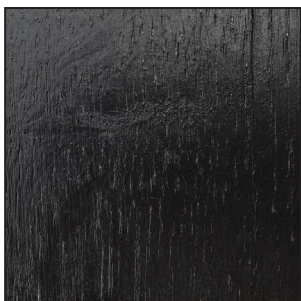
Green



Black

3. WOOD SELECTION

STAINED OAK WOOD



Black